

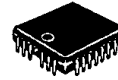
# HA12062AMP

## Data Strobe IC for R-DAT

The HA12062AMP is a data strobe IC developed for R-DAT (rotary head digital audio tape recorder).

It incorporates a PLL clock generator and automatic strobe point control (ASPC) circuit on one chip, and has the following features and functions.

### HA12062AMP



(MP-28)

### Functions

- Data strobe
- Clock generation
- Automatic strobe point correction

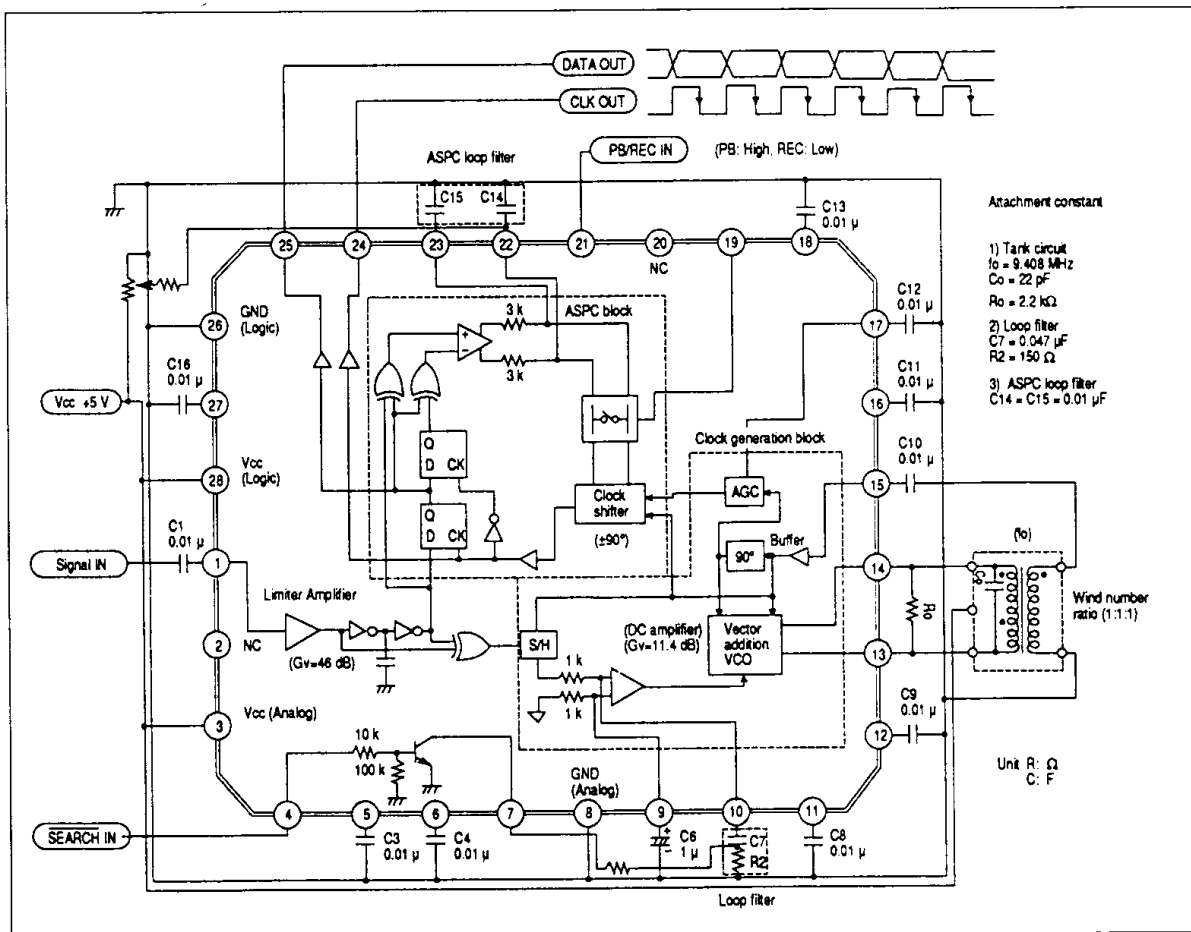
### Features

- 5 V single power supply voltage
- Data discrimination between "0" and "1" by playback signal
- Generation of stable clock signal by PLL
- Automatic correction of strobe point around the eye pattern
- Interface with CMOS LSI is possible due to CMOS level output.

### Ordering Information

Type No.	Package
HA12062AMP	MP-28

### Block Diagram



# HA12062AMP

**Table 1 Pin Description**

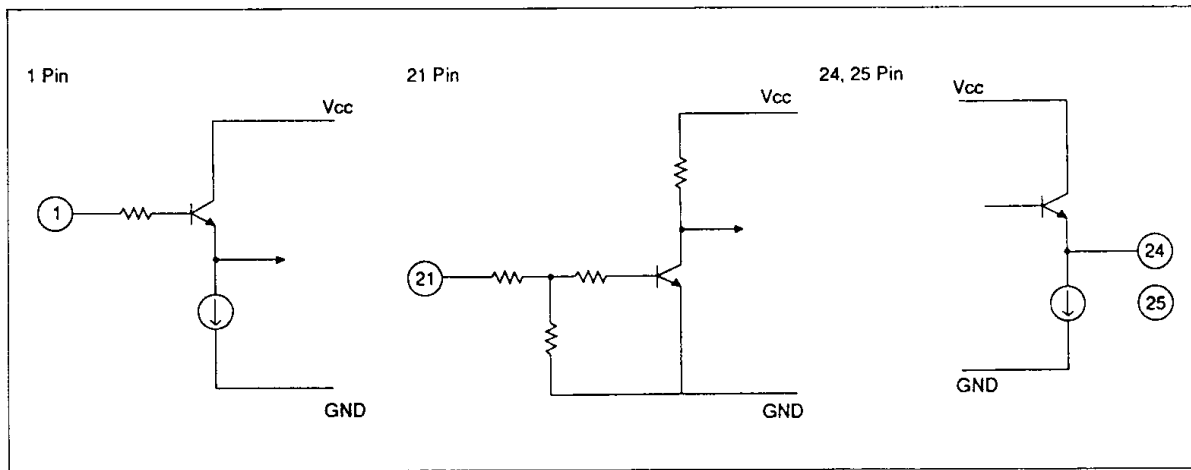
Pin No.	Pin name	I/O	Pin function	Connecting Destination
1	LM1	I	Limiter amplifier input pin	HA12133MP
2	NC	—		
3	AVcc	Vcc	Analog power supply	
4	SRCHI	—	Switching signal input pin for loop filter	μ-COM
5	TEST2	—	Test pin. Connect to GND through capacitor.	
6	BYP1	—	Bias supply bypass capacitor connection pin	
7	SRCHO	—	Switching signal output pin for loop filter	
8	AGND	GND	Analog GND	
9	CC1	—	DC amplifier bypass capacitor connection pin	
10	CC2	—	C and R connection pin for loop filter	
11	BYP3	—	Bias supply bypass capacitor connection pin	
12	BYP4	—	VCO bypass capacitor connection pin	
13	VCO1	O	VCO tank coil connection pin	
14	VCO2	O	VCO tank coil connection pin	
15	VCI	I	VCO tank coil (secondary) connection pin	
16	BYP5	—	Bias supply bypass capacitor connection pin	
17	AGC	—	Capacitor connection pin for AGC detection	
18	BYP6	—	AGC bypass capacitor connection pin	
19	TEST3	—	Test pin. Connect to GND.	
20	NC	—		
21	RPSEL	I	Switching signal input pin for recording/playback	μ-COM
22	CC3	—	Capacitor connection pin for ASPC loop filter	
23	CC4	—	Capacitor connection pin for ASPC loop filter	



**Pin Description (cont)**

24	$\overline{\text{PDCK}}$	O	Clock output pin	Signal processing LSI
25	PDATA	O	Playback data output pin	Signal processing LSI
26	DGND	GND	Digital GND	
27	BYP7	—	Bias supply bypass capacitor connection pin	
28	DVCC	Vcc	Digital power supply	

**I/O Equivalent Circuit**



**Functional Description**

The HA12062AMP discriminates between data "0" and "1" by playback signal with equalized waveform, and outputs the data to the next signal processing LSI together with the clock signal. The HA12062AMP is composed of a clock generation block and ASPC (automatic strobe point control) block as shown in the diagram. These two blocks are explained below.

**Clock Generation Block**

The clock generation block is composed of a PLL circuit using a sample hold type phase comparator. The sample hold circuit executes VCO output sample hold using edge pulse (sampling pulse) which has playback signal phase data created by edge detection circuit, and compares phases between the playback and VCO output signals. The VCO controls phase shift caused by temperature change by using a vector addition LC oscillator of small temperature drift.

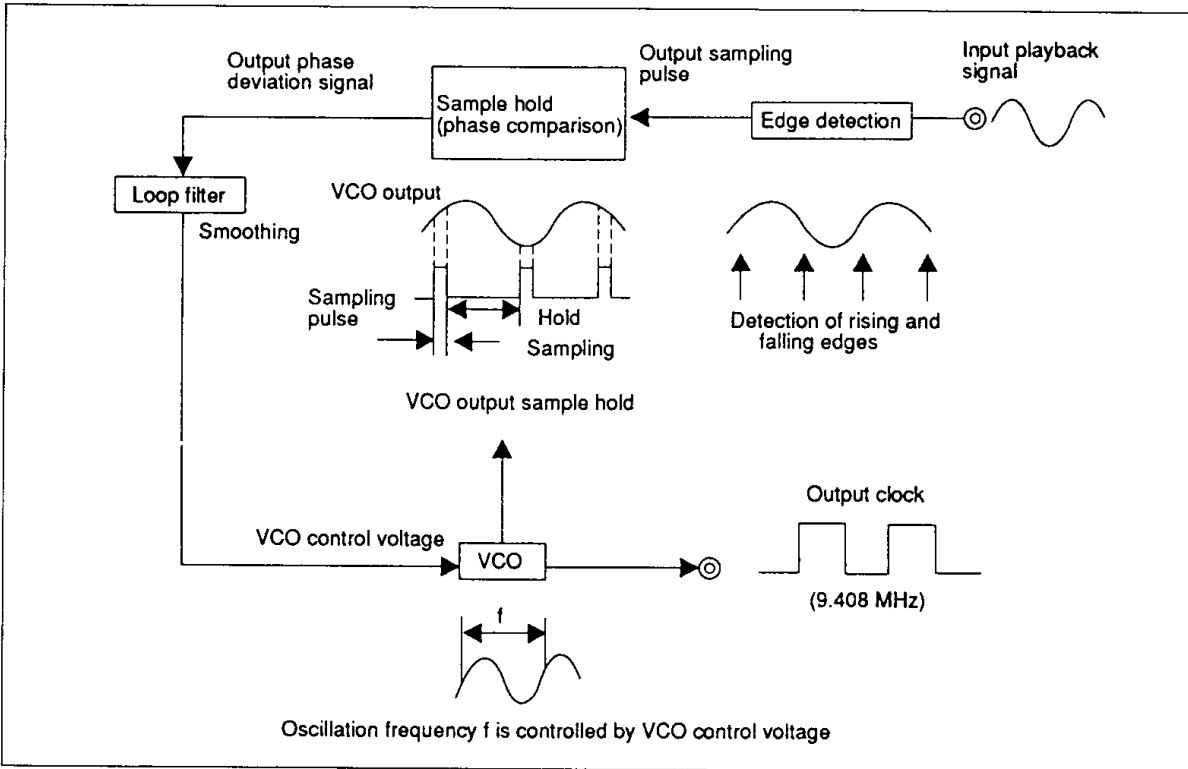


Figure 1 Clock Generation Block Structure

**Sample hold circuit:** The sample hold circuit executes sample hold of the VCO output waveform by a sampling pulse and outputs a phase deviation signal between the playback and VCO output signals.

The sample hold I/O waveform is shown in figure 2.

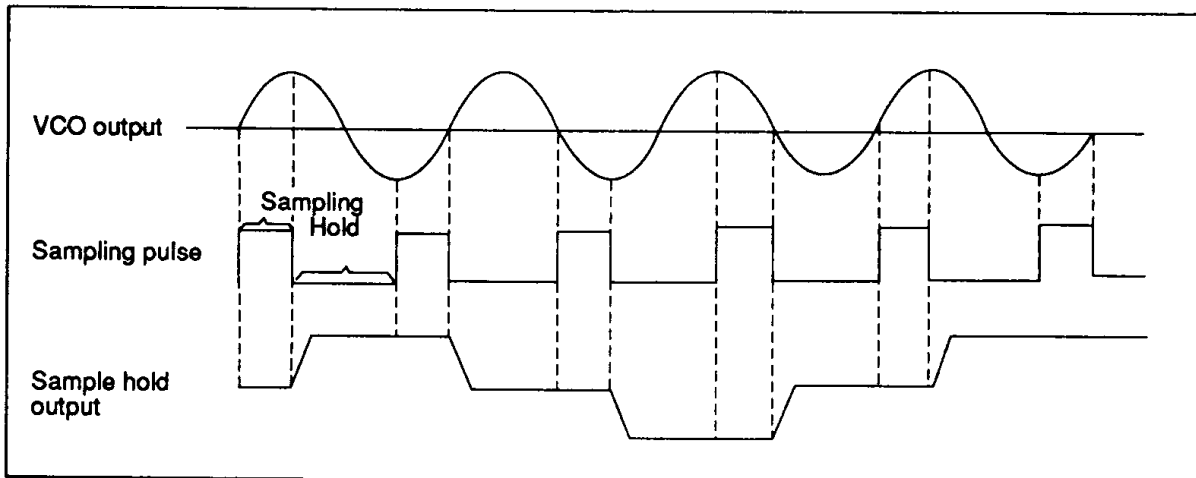
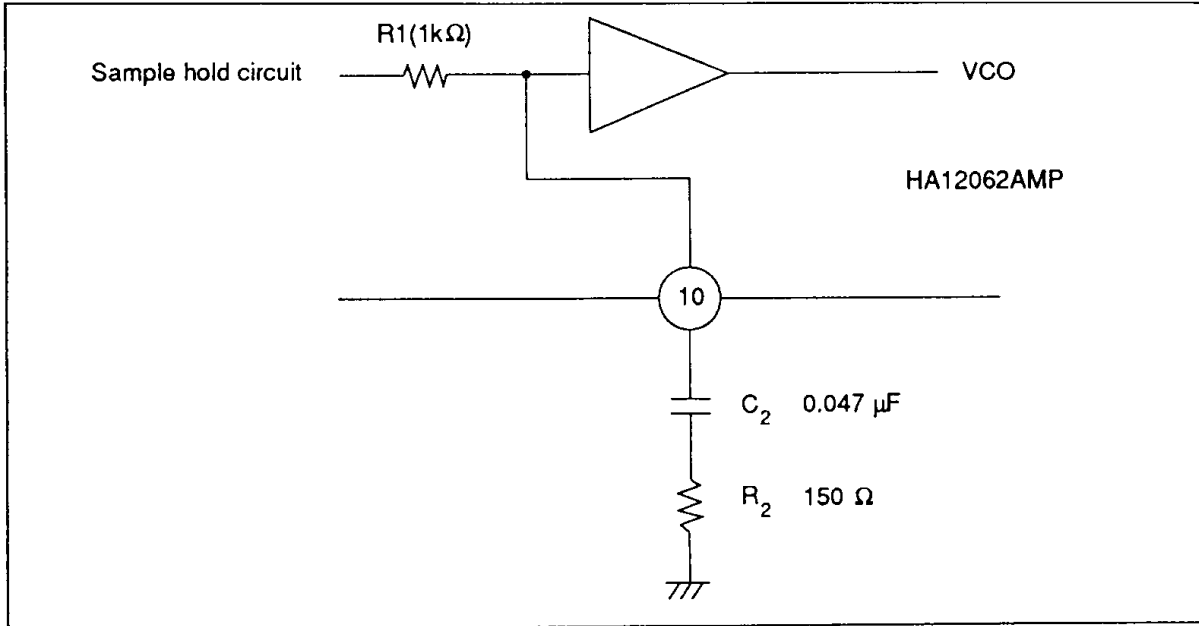


Figure 2 Sample Hold I/O Waveform

**Loop filter:** The output signal from the sample hold circuit is smoothed by a loop filter. The

external loop filter constants are the values of C and R in figure 3.



**Figure 3 Loop Filter Structure**

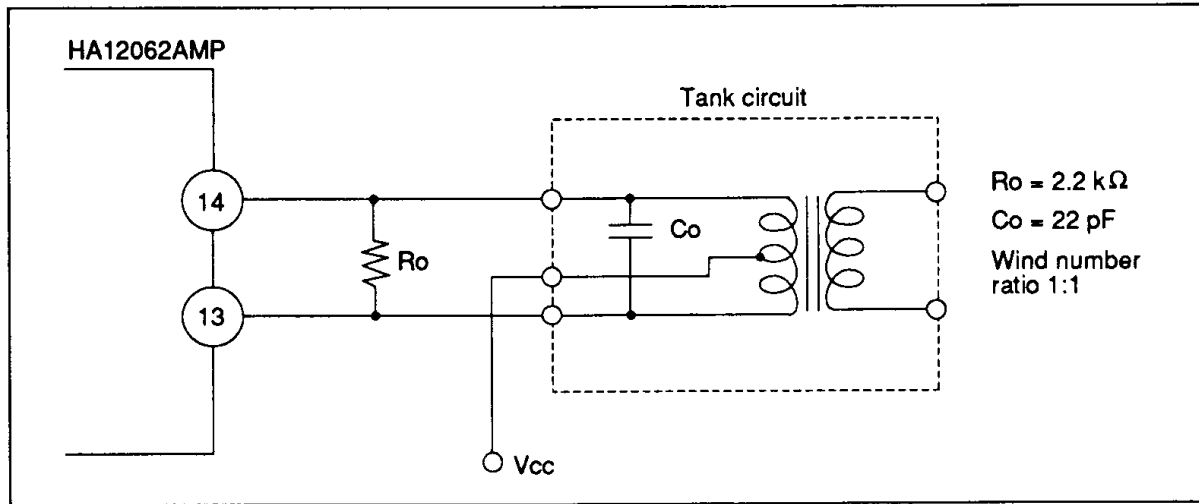
**VCO:** A vector addition LC oscillator is employed for the VCO.

To adjust the tank circuit, taking the C and R constants as in figure 4, refer to VCO for adjustment in electrical characteristics measuring method.

The VCO operating principle is as shown in figure 5. First, vector addition of vector *a* and *b* creates *c* from which basic wave component D is extracted

by the tank circuit. It is then oscillated after positive feedback.

The change of oscillation frequency is done by controlling the vector adder addition ratio.



**Figure 4 Tank Circuit Structure**

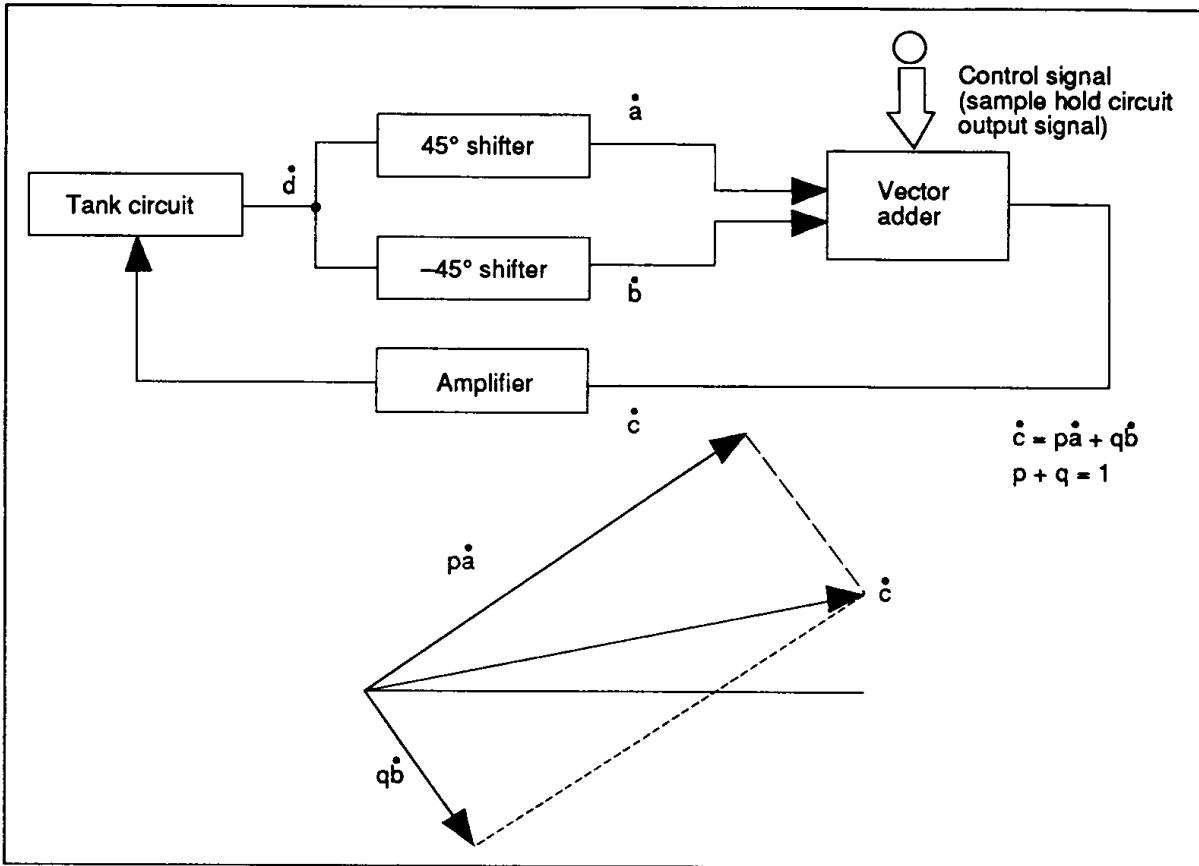


Figure 5 VCO Structure

**ASPC Block**

The ASPC block is composed of a strobe point deviation detection circuit and clock shift circuit. The clock shift circuit shifts the phase of the

generated clock signal according to detected deviation data.

The strobe point should be controlled to appear in the center of the eye pattern as shown in figure 7.

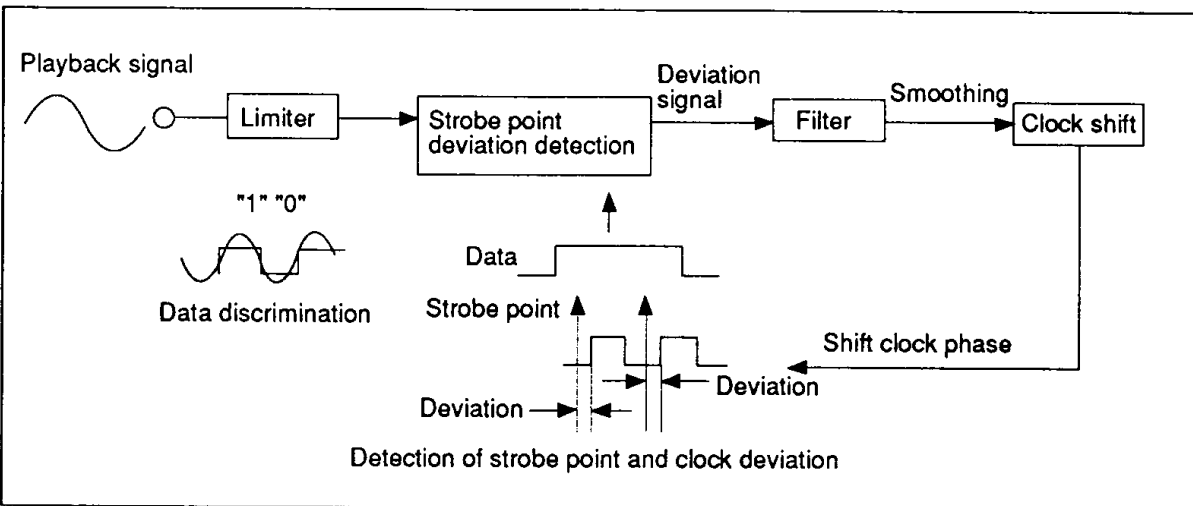
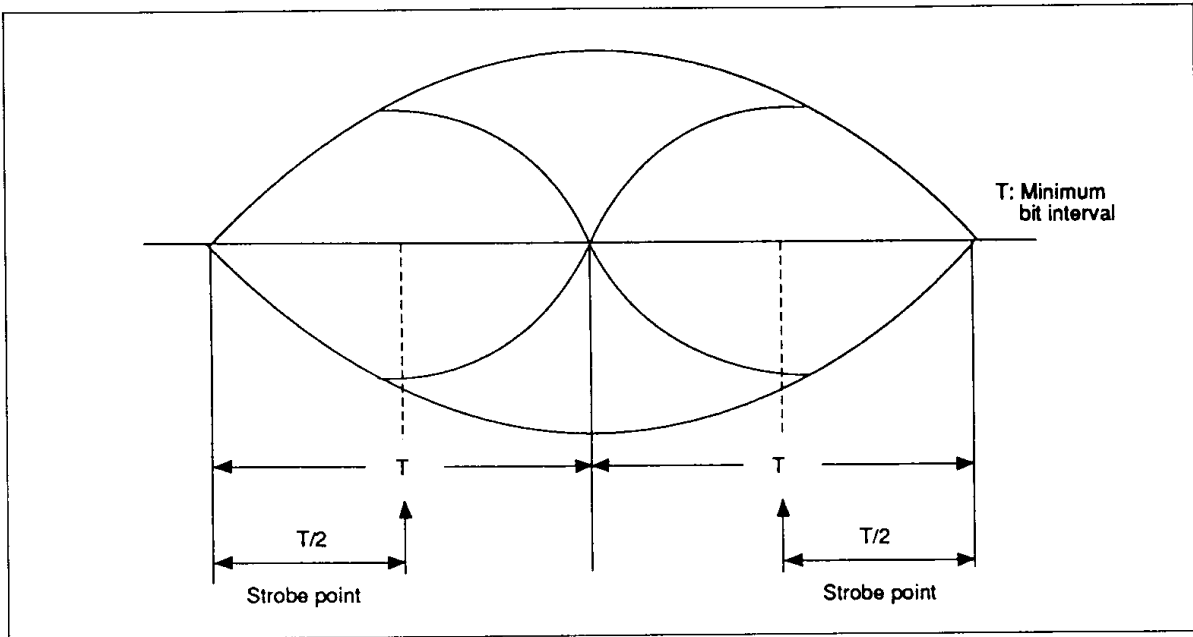


Figure 6 ASPC Structure

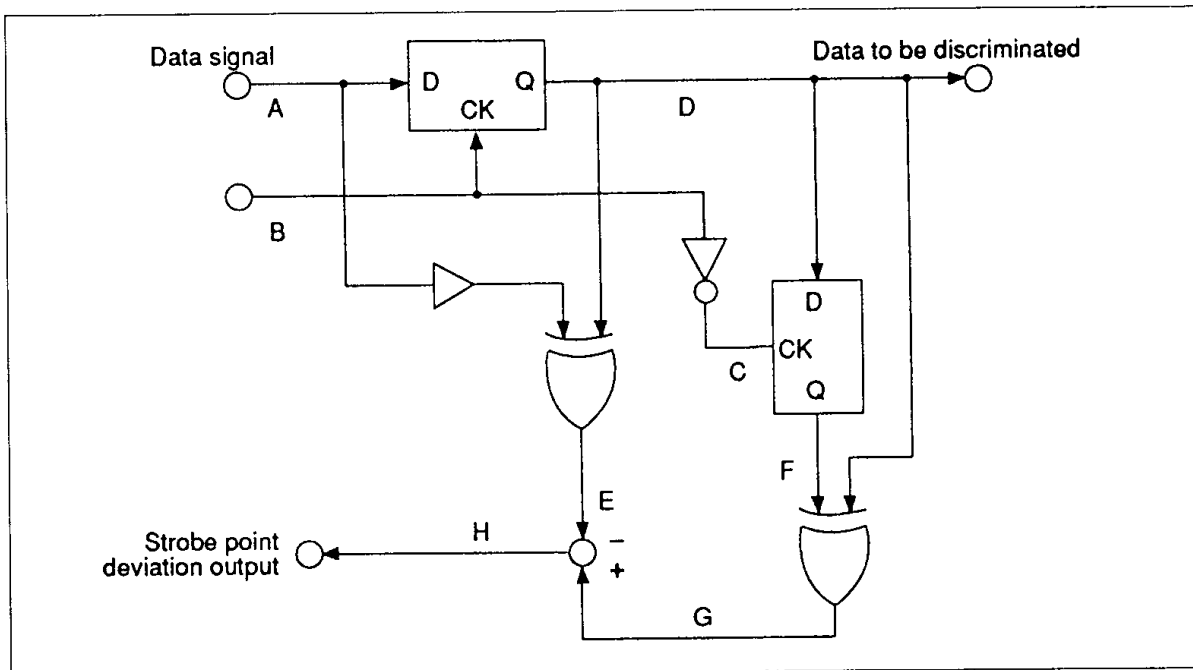


**Figure 7 Eye Pattern and Strobe Point**

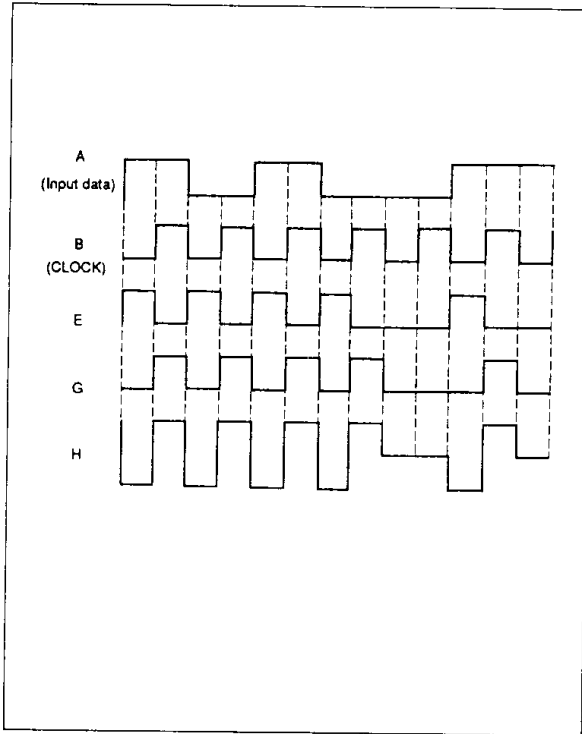
**Deviation detection of strobe point:** Strobe point deviation data is created by using output pulse width obtained by taking the XOR of D-F/F I/O signals as shown in figure 8.

Figure 9-1 shows the case where the strobe point is in the center of the eye pattern, figure 9-2 shows the case where it is delayed, and figure 9-3 shows the case where it precedes the center of eye pattern.

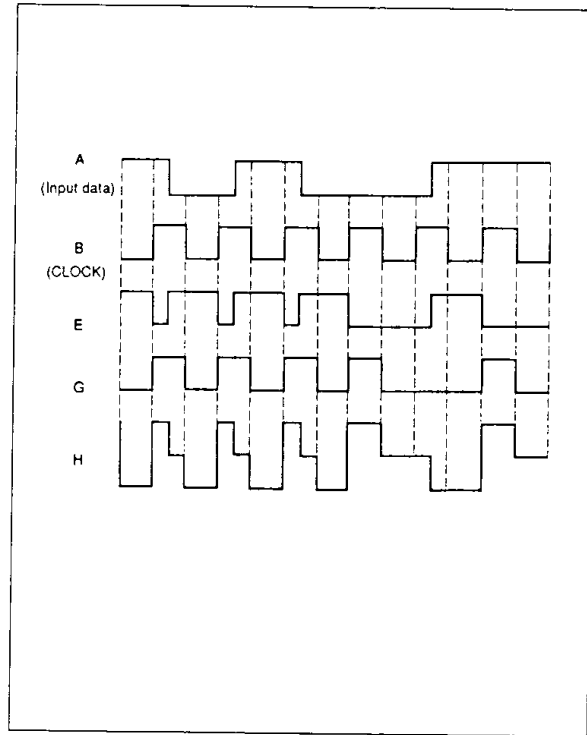
However, signal E data can not be used as a strobe point control signal, because it changes according to input data ("1" or "0"). To remove this I/O data influence, subtraction between signal G and deviation signal E should be executed. As a result, the subtraction output signal H becomes the control signal of the strobe point.



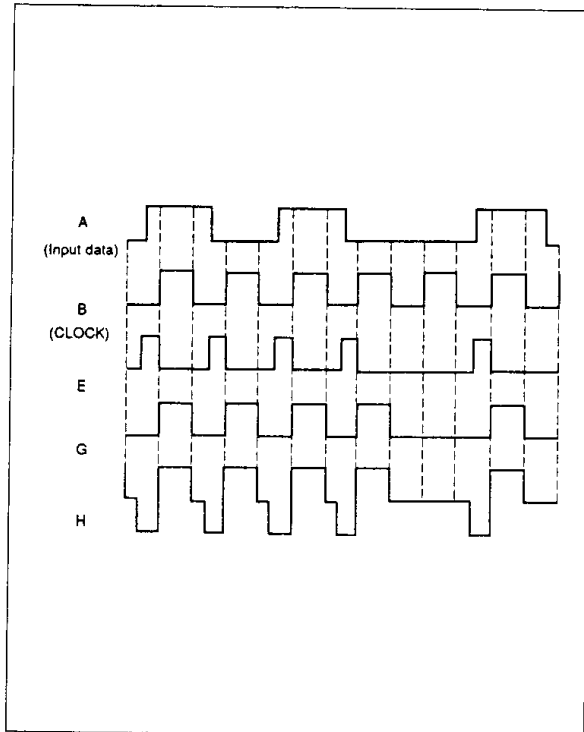
**Figure 8 Strobe Point Deviation Detection Circuit**



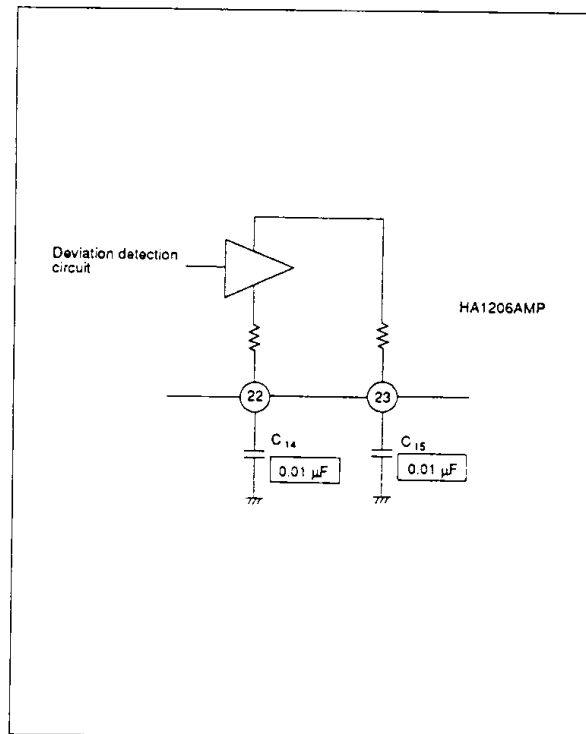
**Figure 9-1 Best-fit Strobe Point**



**Figure 9-2 Late Strobe Point**



**Figure 9-3 Early Strobe Point**



**Figure 10 Loop Filter Structure**

**Loop filter:** Output of the strobe point deviation detection circuit is smoothed through the loop filter. As an external capacitor, the 0.01  $\mu\text{F}$  in figure 10 is recommended.



**Clock shifter:** The clock shifter inputs a signal to a shift circuit through a filter to restrain pulsation of strobe point deviation detection signal.

The shift circuit executes clock shift by changing

the vector composite ratio of  $\pm 180^\circ$  and  $\pm 90^\circ$ . The control characteristic of the composite ratio is shown in figure 12. The shift operation is possible in the range of  $\pm 90^\circ$ .

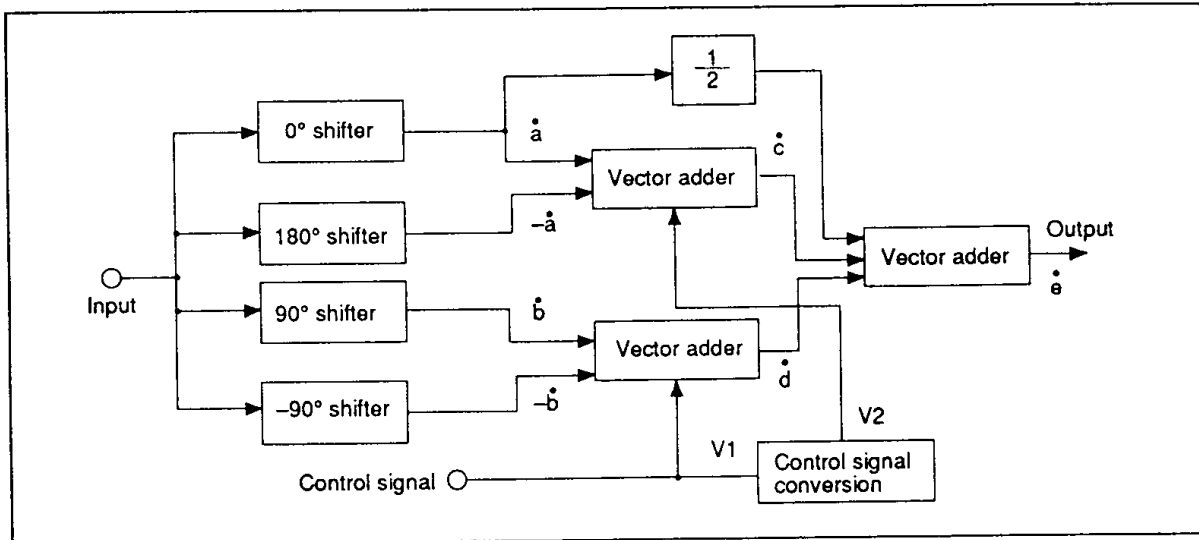


Figure 11 Clock Shift Circuit

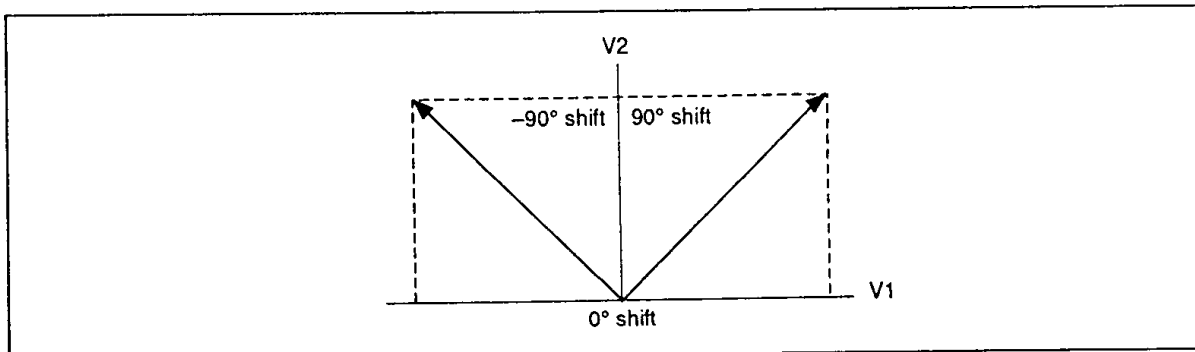
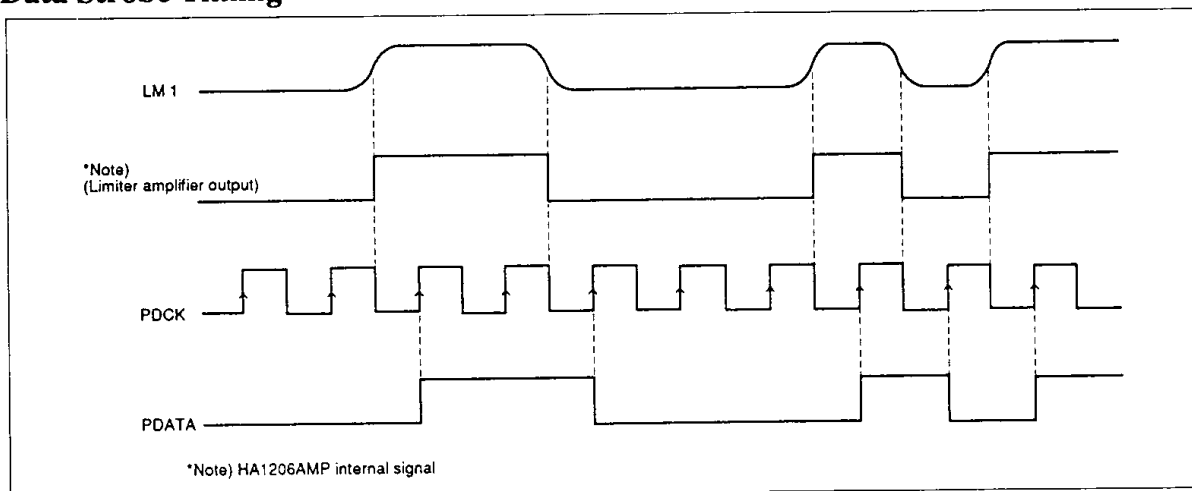


Figure 12 Control Signal Characteristic

**Data Strobe Timing**



# HA12062AMP

**Table 2 Absolute Maximum Ratings (Ta = 25 °C)**

Item	Symbol	Rating	Unit	Remarks
Supply voltage	V <sub>CC</sub>	+6.0	V	
Power dissipation	P <sub>T</sub>	550	mW	(Ta = 75 °C)
Operation temperature	T <sub>opr</sub>	-20 to +75	°C	
Storage temperature	T <sub>stg</sub>	-55 to +125	°C	

The absolute maximum ratings are limiting values, to be applied individually, beyond which the device may be permanently damaged. Functional operation under any of these conditions is not guaranteed. Exposing a circuit to its absolute maximum rating for extended periods of time may affect the device's reliability.

**Table 3 Electrical Characteristics (Ta = 25 °C, V<sub>CC</sub> = +5.0 V)**

Item	Symbol	Min	Typ	Max	Unit	Test conditions	Pin no.
Supply voltage	V <sub>CC</sub>	4.75	5.0	5.5	V	Standard operation	
Supply current	I <sub>Q(1)</sub>	21.0	40.0	60.0	mA	No signal (PLAY MODE)	
PLL lock range	f <sub>H(1)</sub>	±0.95	±1.2	±1.5	MHz	f = 4.704 MHz, V <sub>in</sub> = 0.5 V <sub>pp</sub>	
PLL lock range	f <sub>H(2)</sub>	±0.95	±1.2	±1.5	MHz	f = 2.352 MHz, V <sub>in</sub> = 0.5 V <sub>pp</sub>	
PLL capture range	f <sub>P(1)</sub>	±0.75	±1.1	±1.5	MHz	f = 4.704 MHz, V <sub>in</sub> = 0.5 V <sub>pp</sub>	
PLL capture range	f <sub>P(2)</sub>	±0.75	±1.1	±1.5	MHz	f = 2.352 MHz, V <sub>in</sub> = 0.5 V <sub>pp</sub>	
ASPC detection sensitivity	K <sub>(1)</sub>	15	29	60	mV/ns	f = 4.704 MHz, V <sub>in</sub> = 0.5 V <sub>pp</sub>	
ASPC detection sensitivity	K <sub>(2)</sub>	7	14.1	28	mV/ns	f = 2.352 MHz, V <sub>in</sub> = 0.5 V <sub>pp</sub>	
ASPC offset	T <sub>(1)</sub>	—	4.7	15	ns	f = 4.704 MHz, V <sub>in</sub> = 0.5 V <sub>pp</sub>	
ASPC offset	T <sub>(2)</sub>	—	9.5	30	ns	f = 2.352 MHz, V <sub>in</sub> = 0.5 V <sub>pp</sub>	
Logic out duty	D <sub>(1)</sub>	30	50	70	%	f = 4.704 MHz, V <sub>in</sub> = 0.5 V <sub>pp</sub>	24, 25
Input "Low" level	V <sub>IL</sub>	—	—	1.0	V		21
Input "High" level	V <sub>IH</sub>	4.0	—	—	V		21



**Electrical Characteristics (Ta = 25 °C, Vcc = +5.0 V) (cont)**

Output "Low" level	V <sub>OL</sub>	—	—	1.5	V	f = 4.704 MHz, Vin = 0.5 Vpp	24, 25
Output "High" level	V <sub>OH</sub>	3.5	—	—	V	f = 4.704 MHz, Vin = 0.5 Vpp	24, 25
Input current "Low"	I <sub>IL 21</sub>	-10	0	—	μA	Vin = 0 V	21
Input current "High"	I <sub>IH 21</sub>	—	130	350	μA	Vin = 5 V	21
Input current "Low"	I <sub>IL 4</sub>	-10	0	—	μA	Vin = 0 V	4
Input current "High"	I <sub>IH 4</sub>	—	430	650	μA	Vin = 5 V	4
Output leakage current	I <sub>L</sub>	—	—	10	μA	4 Pin = 0.3 V 7 Pin = 5 V	
Output ON resistance	R <sub>ON</sub>	—	10	15	Ω	4 Pin = 4.6 V 7 Pin I <sub>ON</sub> = 1 mA	

**Electrical Characteristics Testing**

Electrical characteristics are measured according to test circuit I, II, and the switch matrix table as follows.

Item	Measuring method and judging standard
VCOfo	Adjust the tank coil to acquire an M3 frequency of fo = 8.35 MHz.
I <sub>Q(1)</sub>	Measure total current of pins 3 and 28 when there is no signal in PLAY mode.
f <sub>H(1)</sub>	1) Sg1: f <sub>1</sub> = 4.704 MHz, Vin = 0.5 Vpp 2) Regard as f <sub>H(1)</sub> the point where f <sub>3</sub> (M3 frequency) is not f <sub>1</sub> x 2, sweeping f <sub>1</sub> to (+) and (-) sides around 4.704 MHz. f <sub>H(1)</sub> = (f <sub>1</sub> x 2 - 9.408 MHz)
f <sub>H(2)</sub>	1) Sg1: f <sub>1</sub> = 2.352 MHz, Vin = 0.5 Vpp 2) Regard as f <sub>H(2)</sub> the point where f <sub>3</sub> (M3 frequency) is not f <sub>1</sub> x 4, sweeping f <sub>1</sub> to (+) and (-) sides around 2.352 MHz. f <sub>H(2)</sub> = (f <sub>1</sub> x 4 - 9.408 MHz)
f <sub>P(1)</sub>	1) Sg1: f <sub>1</sub> = 3.4 MHz, Vin = 0.5 Vpp 2) Regard as f <sub>P(1)</sub> the point where f <sub>3</sub> (M3 frequency) is f <sub>1</sub> x 2, sweeping f <sub>1</sub> from (-) side to 4.704 MHz. f <sub>P(1)</sub> = (f <sub>1</sub> x 2 - 9.408 MHz) 3) Sg1: f <sub>1</sub> = 5.9 MHz, Vin = 0.5 Vpp 4) Regard as f <sub>P(1)</sub> the point where f <sub>3</sub> (M3 frequency) is f <sub>1</sub> x 2, sweeping f <sub>1</sub> from (+) side to 4.704 MHz. f <sub>P(1)</sub> = (f <sub>1</sub> x 2 - 9.408 MHz)



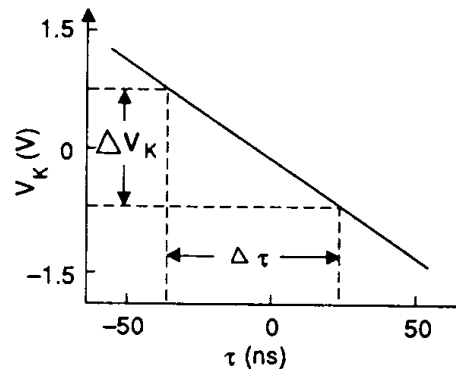
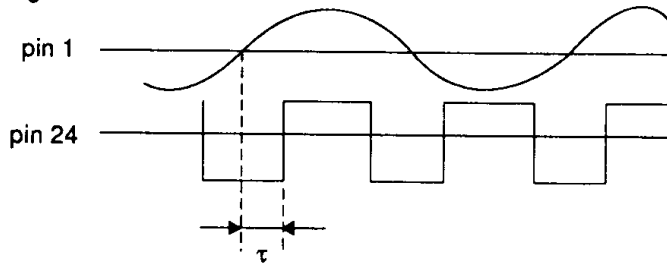
# HA12062AMP

## Electrical Characteristics Testing (cont)

- $f_{P(2)}$
- 1) Sg1:  $f_1 = 1.7 \text{ MHz}$ ,  $V_{in} = 0.5 \text{ Vpp}$
  - 2) Regard as  $f_{P(2)}$  the point where  $f_3$  (M3 frequency) is  $f_1 \times 4$ , sweeping  $f_1$  from (-) side to 2.352 MHz.  
 $f_{P(2)} = (f_1 \times 4 - 9.408 \text{ MHz})$
  - 3) Sg1:  $f_1 = 3.3 \text{ MHz}$ ,  $V_{in} = 0.5 \text{ Vpp}$
  - 4) Regard as  $f_{P(2)}$  the point where  $f_3$  (M3 frequency) is  $f_1 \times 4$ , sweeping  $f_1$  from (+) side to 2.352 MHz.  
 $f_{P(2)} = (f_1 \times 4 - 9.408 \text{ MHz})$

- $K_{(1)}$
- $K_{(2)}$
- 1) Sg3:  $f_2 = 18.816 \text{ MHz}$ ,  $V_{in} = 0.5 \text{ Vpp}$
  - 2) Measure the M2 voltage  $V_{k1}$ , combining SW9 and SW10 and shifting strobe point offset by  $\tau$ .
  - 3) Calculate  $K_{(1)}$  and  $K_{(2)}$  using  $\frac{\Delta V_k}{\Delta \tau}$

Sg IN



- $T_{(1)}$
- $T_{(2)}$
- 1) Adjust the SW9 and SW10 to acquire an M2 voltage of  $V_M = 0 \text{ V}$  and strobe point offset is  $\pm 30 \text{ ns}$ .
  - 2) Set SW4 to 1.
  - 3) Measure the M2 voltage.  $V_{M2(1)}$ ,  $V_{M2(2)}$
  - 4) Calculate  $T_{(1)}$ ,  $T_{(2)}$  using.

$$T_{(1)} = \left| \frac{V_{M2(1)}}{k_{(1)}} \right| \text{ or } T_{(2)} = \left| \frac{V_{M2(2)}}{k_{(2)}} \right|$$

- $D_{(1)}$
- $D_{(2)}$
- 1) Sg1:  $f_1 = 4.704 \text{ MHz}$ ,  $V_{in} = 0.5 \text{ Vpp}$
  - 2) Measure duty of M4 and M5 at  $V_{th} = 2.5 \text{ V}$

$V_{IL}$   
 $V_{IH}$

Measure the V1 voltage setting M4 to "High" when CLK is output and to "Low" when CLK is extinguished.

$V_{OL}$   
 $V_{OH}$

Measure the "High" and "Low" level of M4 and M5 inputting  
Sg1:  $f = 4.704 \text{ MHz}$  and  $V_{in} = 0.5 \text{ Vpp}$

$-I_{IL21}$   
 $I_{IH21}$

Measure the  $-I_{IL21}$  when  $V_{21} = 0 \text{ V}$   
Measure the  $I_{IH21}$  when  $V_{21} = 5 \text{ V}$

$-I_{IL4}$   
 $I_{IH4}$

Measure the  $-I_{IL4}$  when  $V_4 = 0 \text{ V}$   
Measure the  $I_{IH4}$  when  $V_4 = 5 \text{ V}$

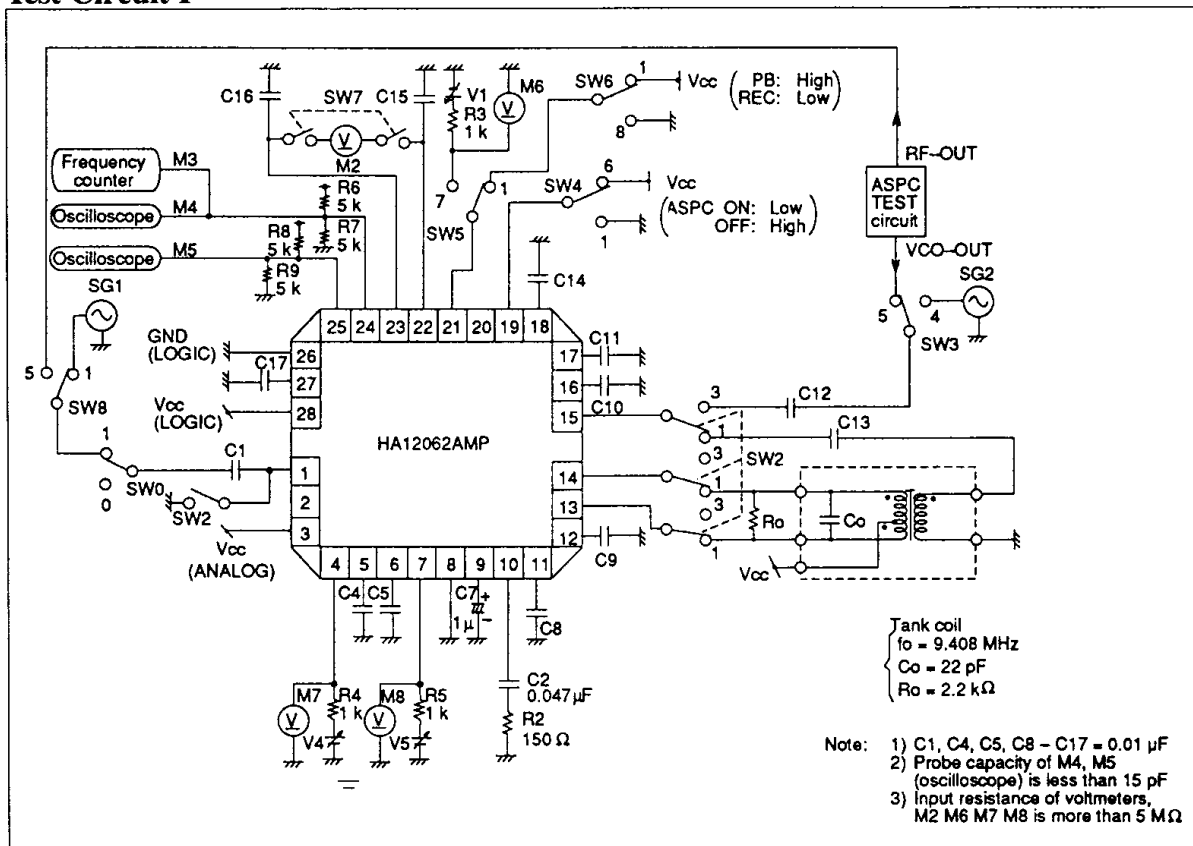


- IL
- 1) V4 = 0.3 V, V7 = 5 V
  - 2) Measure the V5 current.

- RON
- 1) V4 = 4.6 V
  - 2) Measure the M8 voltage V<sub>(1)</sub> when I<sub>s</sub> = 0
  - 3) Measure the M8 voltage V<sub>(2)</sub> when I<sub>s</sub> = 1 mA
  - 4) Calculate RON using

$$R_{ON} = \frac{V_{(2)} - V_{(1)}}{1 \text{ mA}}$$

Test Circuit I





**Switch Matrix Table**

Item	Switch No.									
	SW0	SW2	SW3	SW4	SW5	SW6	SW7	SW8	SW11	SW12
I <sub>Q</sub> (1)	0	1	—	1	1	1	OFF	1	—	OFF
f <sub>H</sub> (1)	1	↓	—	↓	↓	↓	↓	↓	—	↓
f <sub>H</sub> (2)	↓	↓	—	↓	↓	↓	↓	↓	—	↓
f <sub>P</sub> (1)	↓	↓	—	↓	↓	↓	↓	↓	—	↓
f <sub>P</sub> (2)	↓	↓	—	↓	↓	↓	↓	↓	—	↓
K(1)	↓	3	5	6	↓	↓	ON	5	C	↓
K(2)	↓	↓	↓	↓	↓	↓	↓	↓	D	↓
T(1)	↓	↓	↓	6→1	↓	↓	↓	↓	C	↓
T(2)	↓	↓	↓	6→1	↓	↓	↓	↓	D	↓
D(1)	↓	1	—	1	↓	↓	OFF	1	—	↓
V <sub>IL</sub>	1	↓	—	↓	7	—	↓	↓	—	↓
V <sub>IH</sub>	↓	↓	—	↓	↓	—	↓	↓	—	↓
V <sub>OL</sub>	↓	↓	—	↓	1	1	↓	↓	—	↓
V <sub>OH</sub>	↓	1	—	↓	↓	↓	↓	↓	—	↓
-I <sub>IL21</sub>	↓	↓	—	↓	7	—	↓	↓	—	↓
I <sub>IH21</sub>	↓	↓	—	↓	↓	—	↓	↓	—	↓
I <sub>IL4</sub>	↓	↓	—	↓	1	1	↓	↓	—	↓
I <sub>IH4</sub>	↓	↓	—	↓	↓	↓	↓	↓	—	↓
I <sub>L</sub>	↓	↓	—	↓	↓	↓	↓	↓	—	↓
R <sub>ON</sub>	↓	↓	—	↓	↓	↓	↓	↓	—	↓
VCO ADJ	0	↓	—	↓	↓	↓	↓	↓	—	ON

# HA12062AMP

## Application

A system package circuit example is shown in figure 13, and its adjusting method and specs are shown in table 4.

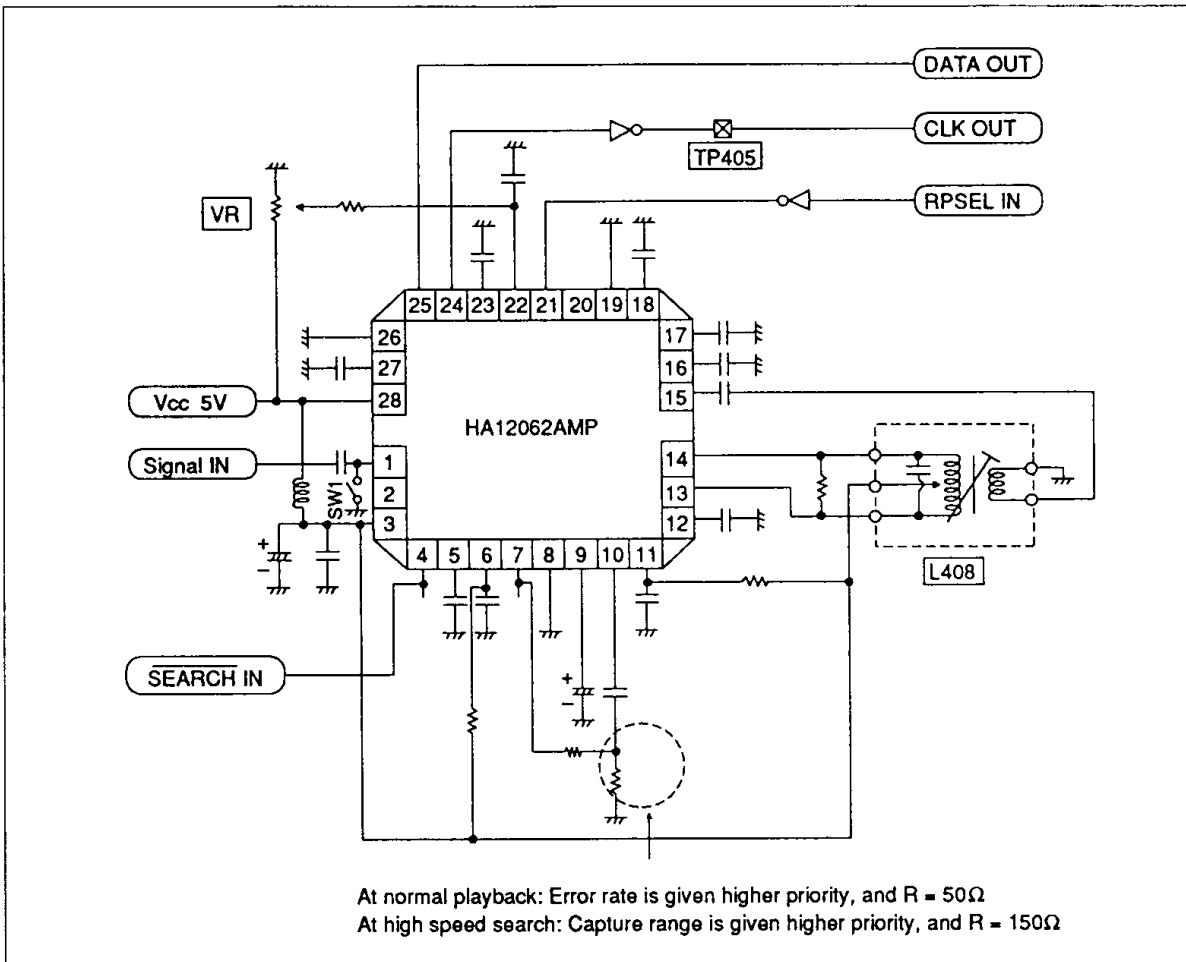


Figure 13 Adjusting Method and Specs

Table 4 Package Circuit

No.	Item	Adjusting method	Specs	Remarks
1	PLL free running frequency	<ul style="list-style-type: none"> <li>Operation mode: stop</li> <li>Point to be adjusted: L408</li> <li>Point to be measured: TP405</li> <li>Measuring apparatus: frequency counter</li> </ul>	8.35 MHz ±10 kHz	SW1 ON
2	ASPC phase error	<ul style="list-style-type: none"> <li>Operation mode: playback</li> <li>Point to be adjusted: VR</li> <li>Measuring apparatus: error counter</li> </ul>	Best-fit error rate	

